



City & E-Bikes

Quick Assembly Guide

Diamant

⚠ WARNING: Failure to follow the assembly instructions outlined in this guide could lead to an accident, which could cause serious injury or death.

ⓘ IMPORTANT: This assembly guide is not a replacement for the Diamant Owner's Manual or other instructions required for your bicycle. The Diamant Owner's Manual contains essential safety information that you must read and understand before riding your new bike. The manual is included in the box and can also be found at diamantrad.com/manuals.

⚠ WARNING: You add to the risk of injury if you use your bicycle in an incorrect manner. Misuse can add stress to the bike and cause the frame or components to break. To decrease your risk of injury, use the bicycle in the manner for which it was designed (see the "Use conditions & weight limits" section in the Diamant Owner's Manual).

▶ To see the guide online use this QR code:
diamantrad.com/bikes/buy-online

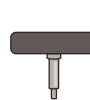


ⓘ If you are unsure about the final assembly, take your bike to a Diamant retailer for an assembly inspection before riding.

⚠ WARNING: Use only hardware supplied by Diamant to complete the assembly of the bicycle.

1 Remove the tools from the tool box.

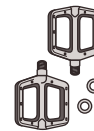
Parts and tools will vary based on bike model.
Not all tools are provided (such as a tire pump).



Torque wrenches as needed



Pedal grease



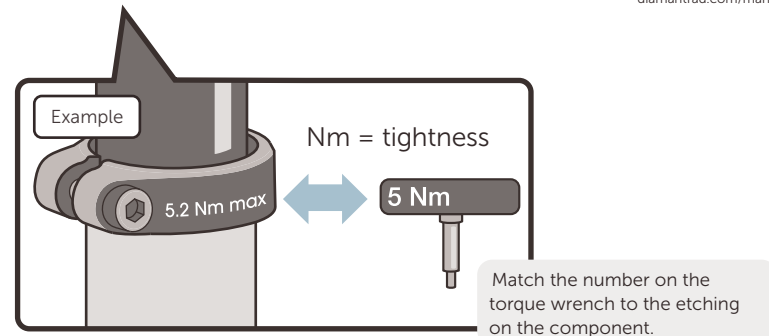
Pedals and washers (if included)



Pedal wrench

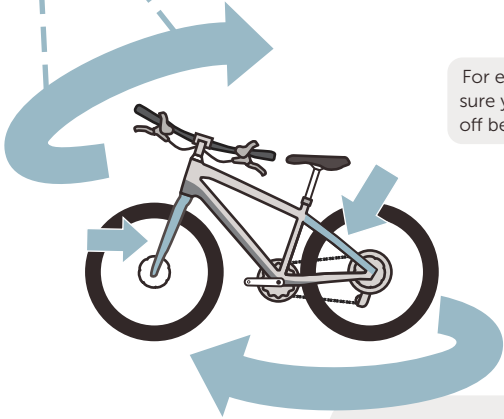


Manuals
You can also find the manuals online at diamantrad.com/manuals



2

Take the bike out of the box and remove the cardboard around the fork. Check the bike for shipping damage and make sure all parts are included. Pay special attention to the fork legs and the seat stays (both inside and outside surfaces).



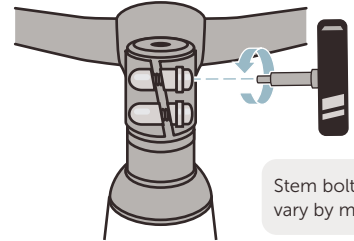
For e-bikes, make sure your e-system is off before assembly.

If you notice damage or you're unsure about the initial inspection of your bicycle, contact Diamant Customer Care at 00800 8735 8735.

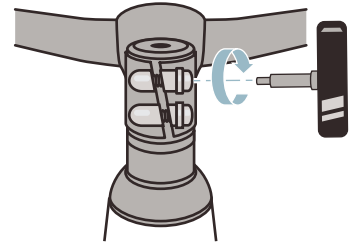
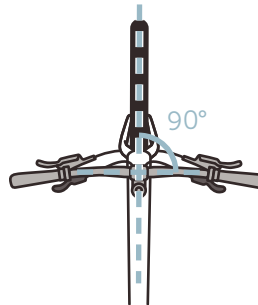


3

Align the handlebar/stem. Loosen the stem bolts, align the handlebar stem, and retighten the stem bolts — switching side-to-side — until you feel the tool click.

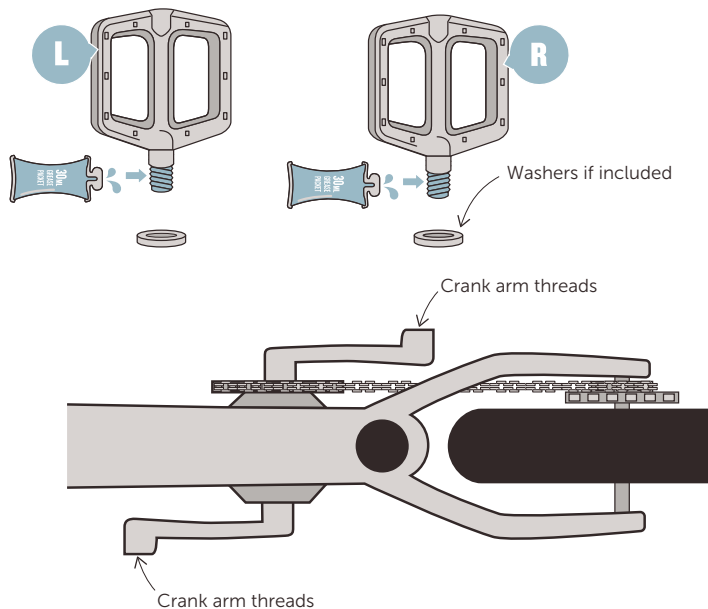


Stem bolt positions vary by model.



4

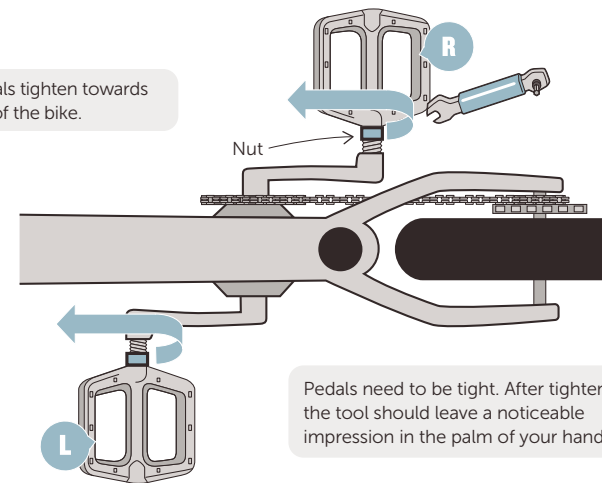
Install the pedals. Grease the pedal threads and clean the crank arm threads (there may be residue from the packaging strap). If included, install the washers over the pedal threads first.



5

Thread the pedals in by hand — tightening by the nut, not the pedal. Then use the pedal wrench to fully tighten the pedals.

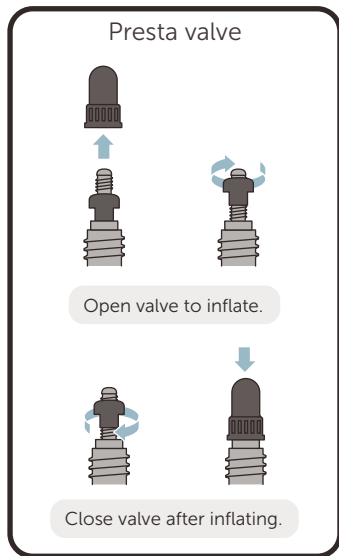
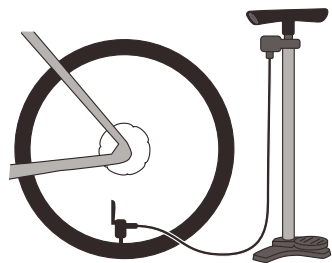
Both pedals tighten towards the front of the bike.



⚠ WARNING: The chainring has sharp points. Be careful when working around the chainring. Failure to do so may result in cut or pinched skin.

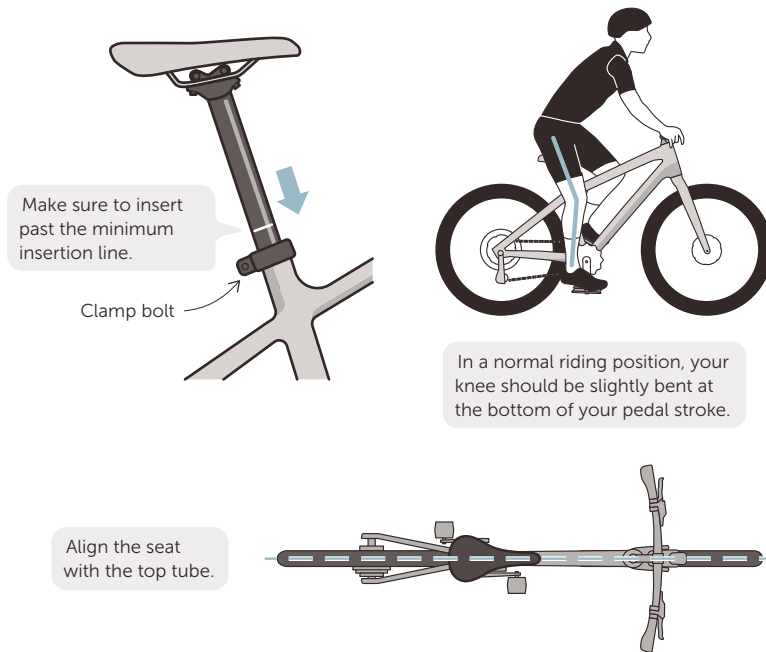
6

Inflate both tires to within the pressure range listed on the tire.



7

Adjust the seat height to your riding preference. Then tighten the clamp bolt or quick release lever.



BICYCLE ASSEMBLY CHECKLIST

Before and after your first ride, complete this checklist:

- Handlebar and stem properly aligned? (Step 3)
- Pedals installed correctly and tightened? (Steps 4-5)
- Tires inflated to correct pressure? (Step 6)
- Seat height correct? (Step 7)
- Read the Diamant Owner's Manual (included with your bike).
- Register your bicycle.
- Perform a pre-ride check.



Watch the Pre-Ride Check video on the Diamantrrad YouTube channel: *Buy your Diamantrrad online: Do this before you go on your first ride.*



Register your bike at dianantrrad.com/radregistrierung

For more detailed information, see the service manual at dianantrrad.com/manuals

WARRANTY: For information about your bike's warranty, please see dianantrrad.com/warranty.



QUESTIONS? Please contact your local Diamant bike shop or call Diamant Customer Care at 00800 8735 8735 from 9am – 5:30pm Monday – Friday, or chat with us at dianantrrad.com/contact.



